

# Fipsy

[WWW.FIPSYFPGA.COM](http://WWW.FIPSYFPGA.COM)

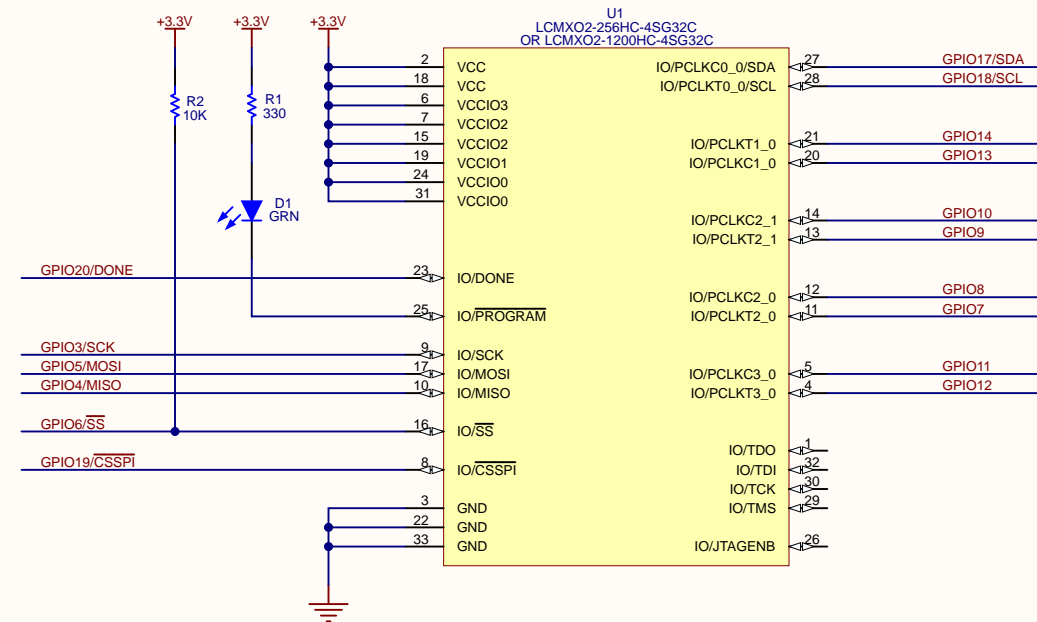
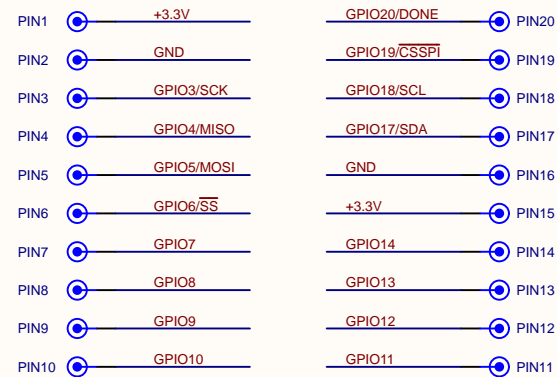
## MODULAR BREADBOARD COMPATIBLE DIP FPGA BOARD

A COLLABORATIVE PROJECT SUPPORTED BY THE MOCO MAKERS COMMUNITY

[WWW.MOCOMAKERS.COM](http://WWW.MOCOMAKERS.COM)

DESIGNED AND MANUFACTURED AT HOME IN  
GAITHERSBURG, MD USA

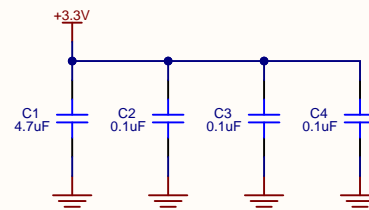
### DUAL IN-LINE PACKAGE (DIP) PIN LAYOUT



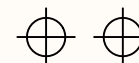
**FIPSY VERSION NOTES -**  
 1) BOTH FIPSY V1 AND FIPSY V2 USE BARE BOARD VERSION 1712  
 2) FIPSY V1 IS ASSEMBLED WITH LCMXO2-256HC-4SG32C  
 3) FIPSY V2 IS ASSEMBLED WITH LCMXO2-1200HC-4SG32C


### THANKS TO OUR LOCAL COMMERCIAL SPONSORS

FIPSY IS AN OPEN HARDWARE DESIGN  
 MANUFACTURED BY ALLIED COMPONENT WORKS, LLC  
[WWW.ALLIEDCOMPONENTWORKS.COM](http://WWW.ALLIEDCOMPONENTWORKS.COM)  
 IN COOPERATION WITH CUSTOM ELECTRONICS COMPANY, INC.  
[WWW.CUSTOMELECTRONICSCO.COM](http://WWW.CUSTOMELECTRONICSCO.COM)



### BOARD FEATURES FOR ASSEMBLY



TITLE: FIPSY - DIP FPGA BOARD		Allied Component Works 18908 Premiere Court Gaithersburg, MD 20879 (301) 366-0142	
DRAWING: MCM17003_FIPSY_X2	REVISION: X2		
MODIFIED: 2/5/2025	SHEET 1 OF 1		
CAD FILE: MCM17003_FIPSY_X2.SchDoc			