

# MAKE FPGA

VERSION 1706

## MODULAR BREADBOARD COMPATIBLE DIP FPGA BOARD

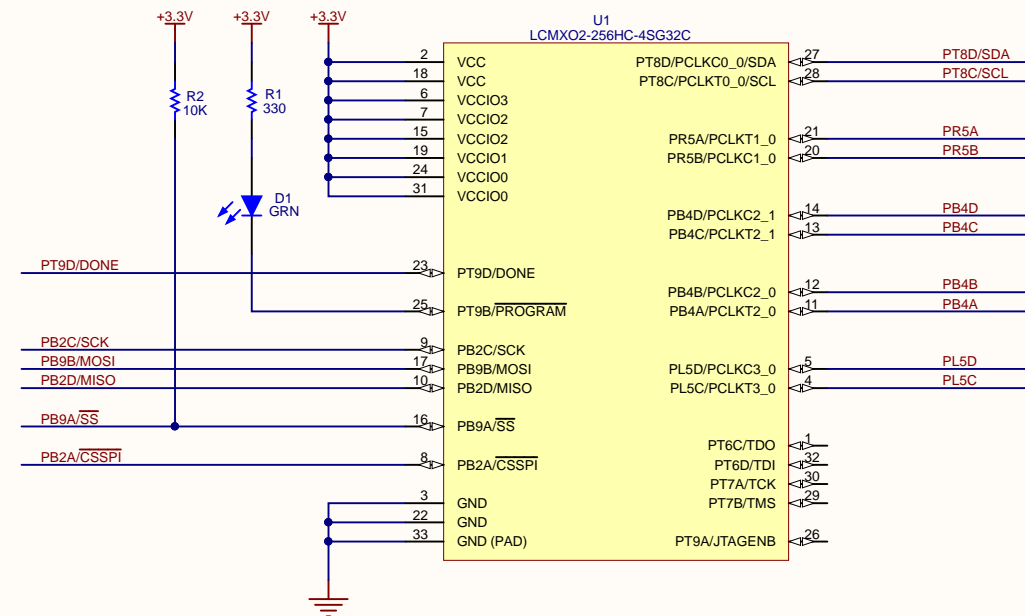
A COLLABORATIVE PROJECT SUPPORTED BY THE MOCOMAKERS COMMUNITY

[WWW.MOCOMAKERS.COM](http://WWW.MOCOMAKERS.COM)

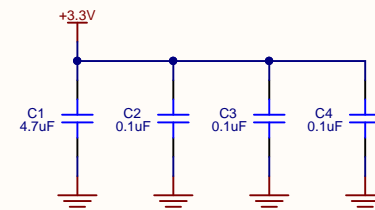
DESIGNED AND MANUFACTURED AT HOME IN

GAITHERSBURG, MD USA

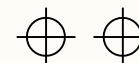
### DUAL IN-LINE PACKAGE (DIP) PIN LAYOUT



### GENERAL DECOUPLING




### BOARD FEATURES FOR ASSEMBLY



THANKS TO OUR LOCAL COMMERCIAL SPONSORS

MAKE FPGA IS AN OPEN HARDWARE DESIGN  
 MANUFACTURED BY ALLIED COMPONENT WORKS, LLC  
[WWW.ALLIEDCOMPONENTWORKS.COM](http://WWW.ALLIEDCOMPONENTWORKS.COM)  
 IN COOPERATION WITH CUSTOM ELECTRONICS COMPANY, INC.  
[WWW.CUSTOMELECTRONICSCO.COM](http://WWW.CUSTOMELECTRONICSCO.COM)

TITLE: MAKE FPGA - DIP FPGA BOARD		Allied Component Works 18908 Premiere Court Gaithersburg, MD 20879 (301) 366-0142	
DRAWING: ACW17003_MAKEFPGA_X1	REVISION: X1		
MODIFIED: 6/8/2017	SHEET 4 OF 4		
CAD FILE: ACW17003_MAKEFPGA_X1.SchDoc			